

THIS DRAWING IS UNPUBLISHED.

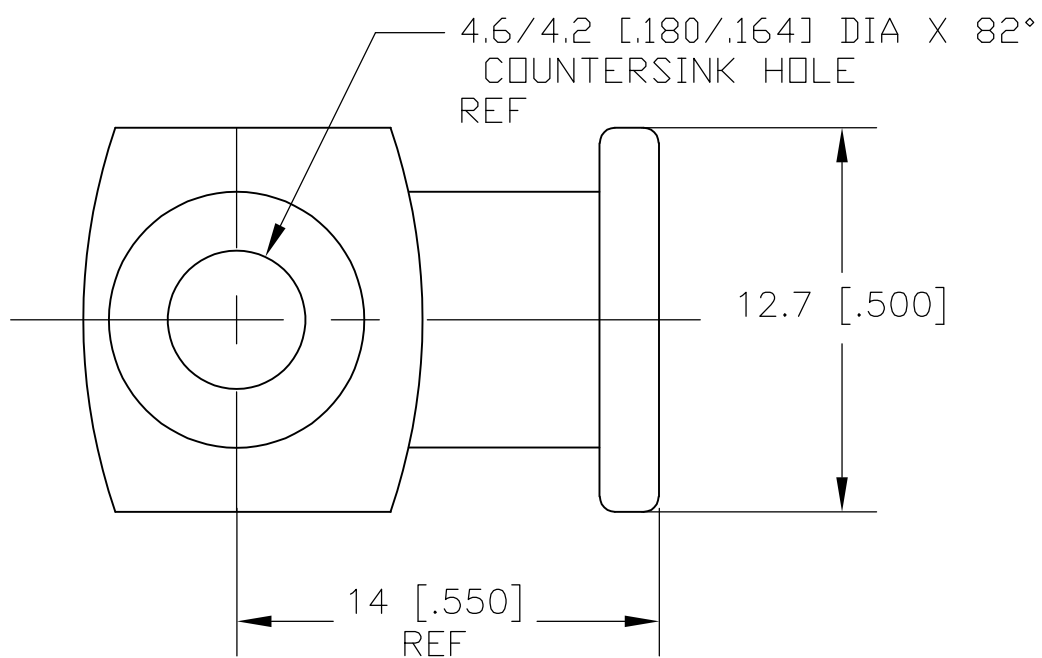
RELEASED FOR PUBLICATION

---

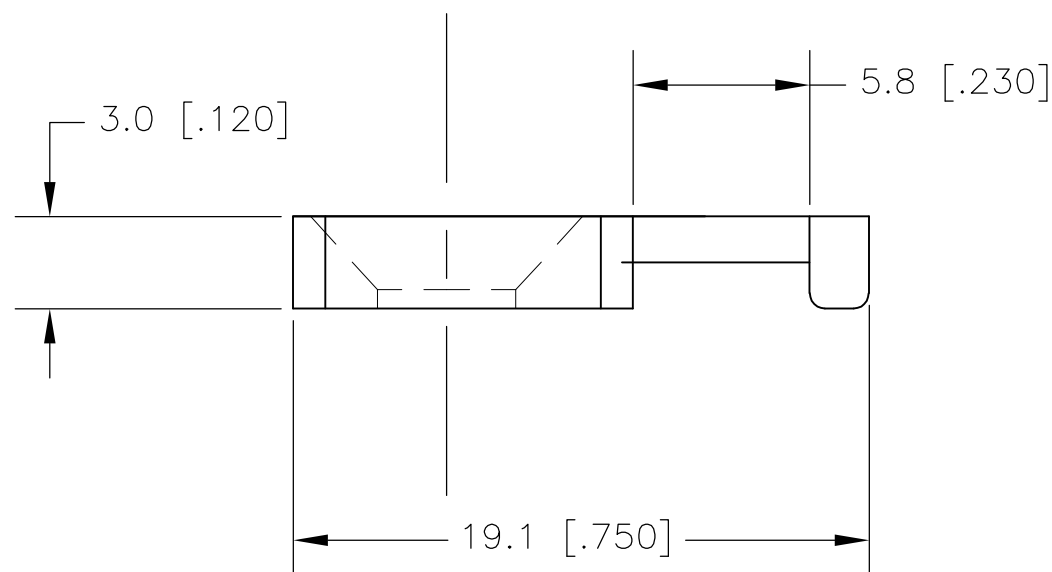
© COPYRIGHT - BY TYCO ELECTRONICS CORPORATION.

ALL INTERNATIONAL RIGHTS RESERVED.

LOC	DIST	REVISIONS			
P	LTR	DESCRIPTION	DATE	DWN	APVD
G	01	F	REV PER ECR 10-015407	28JUL10	JR TM



1 NOT WEATHER RESISTANT



1000	LOOSE PIECE	2-350087-0
100	LOOSE PIECE	1-350087-0
QTY PER PACK	PACKAGE TYPE	PART NO.

THIS DRAWING IS A CONTROLLED DOCUMENT.		DWN jr_ruth 23FEB09	Tyco Electronics Corporation Harrisburg, PA 17105-3608		
DIMENSIONS: MM [ INCHES ]		CHK TOM MICHIELUTTI 23FEB09	NAME BASE, PRE-MOUNTABLE, CABLE TIE		
TOLERANCES UNLESS OTHERWISE SPECIFIED:		APVD TOM MICHIELUTTI 23FEB09	PRODUCT SPEC -		
<ul style="list-style-type: none"> <li>0 PLC ± -</li> <li>1 PLC ± -</li> <li>2 PLC ± -</li> <li>3 PLC ± 0.5 [0.020]</li> <li>4 PLC ± -</li> <li>ANGLES ± 5°</li> </ul>		APPLICATION SPEC -	SIZE A3	CAGE CODE 00779	DRAWING NO G-350087
MATERIAL 6,6 NYLON		FINISH COLOR - BLACK	WEIGHT -	RESTRICTED TO -	
CUSTOMER DRAWING			SCALE 4:1	SHEET 1 OF 1	REV F